



potenza



SUS Material



Overheat Protection



Full Cooper Motor



Heavy Duty



IE2 Motor



PDL Series
Stainless Steel Vertical
Multistage Pump
For Industrial Application



Scan for more
information
potenza2u.com

Reliability Driven by Innovation

PDL Series

Stainless Steel Vertical Multistage Pump



APPLICATION

- Pumping of clean non-loaded fluids, pressurizing system. drinking and glycol water, water treatment, heating and air conditioning, washing system

PUMP

- Pump Body: SUS304
- Impeller: SUS304
- Mechanical Seal: Carbon/Ceramic/ Stainless Steel
- Front bracket: Cast Iron
- Flange: Cast Iron

OPERATING CONDITIONS

- Liquid temperature up to 60°C
- Ambient temperature up to 40°C
- Continuous duty
- pH: 6.5 to 8.5

MOTOR

- Duty S1, TEFC, 2P, Class B, IP55
- Three phase: 415V/3ph/50Hz (with thermal protection)
- Aluminium housing, Shaft
- AISI304
- IE2 Motor

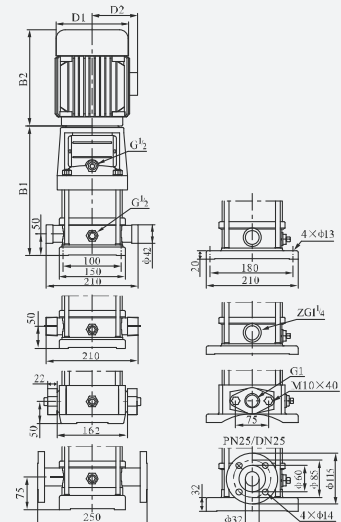
» PDL2

» TECHNICAL DATA

Model	Power		Q-capacity	Q-capacity						
	kW	HP		m ³ /hr	1.0	1.5	2.0	2.5	3.0	3.5
				L/min	16.7	25	33.3	41.7	50	58.3
				Head(m)						
PDL2-30	0.37	0.5		24	23	22	20	19	16	
PDL2-50	0.55	0.75		41	39	37	34	31	26	
PDL2-70	0.75	1.0		60	58	53	50	45	39	
PDL2-110	1.10	1.5		96	91	83	80	72	57	

» DIMENSIONS

Model	Dimension(mm)					Weight (kg)
	B1	B2	B1 + B2	D1	D2	
PDL20-30	276	225	501	148	117	24
PDL2-50	312	225	537	148	117	26
PDL2-70	358	245	603	170	142	30
PDL2-110	430	245	675	170	142	34



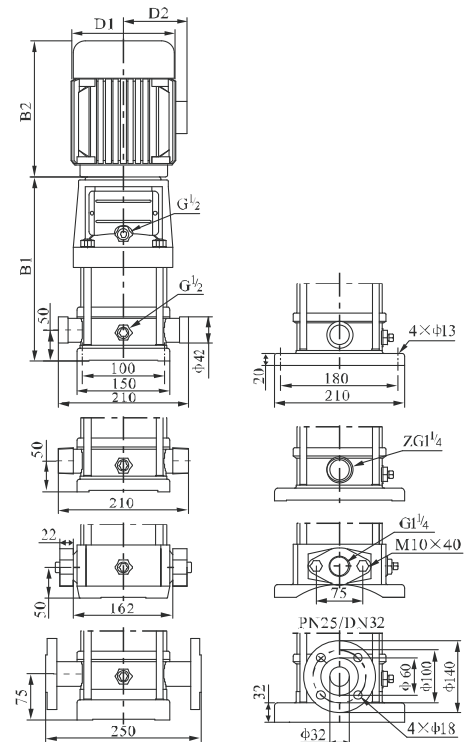
» PDL4

» TECHNICAL DATA

Model	Power		m3/hr	Q=capacity							
	kW	HP		2.0	3.0	4.0	5.0	6.0	7.0	8.0	
Single Phase 415V /50HZ					L/min	33.3	41.7	50	58.3	100	116.7
	Head(m)										
	PDL4-40	0.7			1.0	36	34	32	27	24	19
PDL4-50	1.1	1.5	45	43	40	34	31	23	15		
PDL4-70	1.5	2.0	63	60	56	48	42	32	20		
PDL4-80	1.5	2.0	72	68	64	54	49	37	24		
PDL4-100	2.2	3.0	90	86	80	70	60	47	30		
PDL4-120	2.2	3.0	108	102	96	85	71	56	36		
PDL4-140	2.2	3.0	126	120	112	100	85	65	42		
PDL4-160	3.0	4.0	144	137	128	115	98	76	48		
PDL4-190	4.0	5.5	171	165	152	136	116	90	57		
PDL4-220	4.0	5.5	196	189	176	158	134	103	66		

» DIMENSIONS

Model	Dimension(mm)					Weight (kg)
	B1	B2	B1 + B2	D1	D2	
PDL4-40	340	245	585	170	142	30
PDL4-50	367	245	612	170	142	32
PDL4-70	431	290	721	190	155	39
PDL4-80	458	290	748	190	155	40
PDL4-100	512	290	802	190	155	43
PDL4-120	566	290	856	190	155	44
PDL4-140	630	345	975	197	165	52
PDL4-160	684	345	1029	197	165	54
PDL4-190	765	355	1120	230	188	56
PDL4-220	846	355	1201	230	188	59



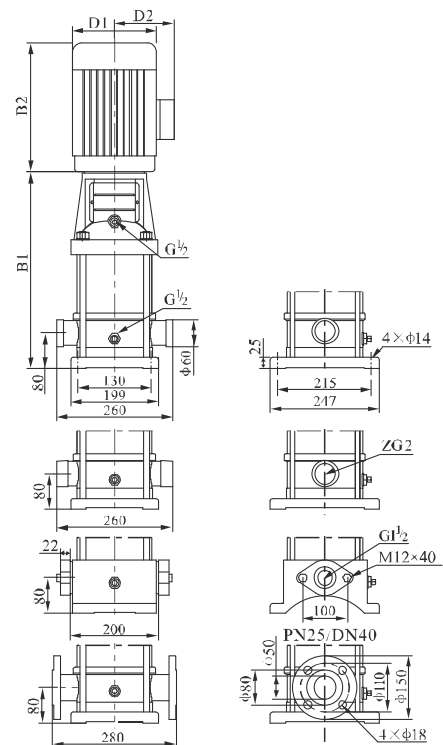
» PDL8

» TECHNICAL DATA

Model	Power		m3/hr L/min	Q=capacity							
	kW	HP		5.0	6.0	7.0	8.0	9.0	10.0	11.0	12.0
				Head(m)							
PDL8 - 30	1.1	1.5	30	29.5	28.5	25	25	24	21	19	
PDL8 - 40	1.5	2.0	41	39.5	38	34	34	32	28	26	
PDL8 - 50	2.2	3.0	52	50	48	42	42	40	36	32	
PDL8 - 60	2.2	3.0	62	60	57	51	51	48	43	39	
PDL8 - 100	4.0	5.5	104	100	97	87	87	81	73	65	
PDL8 - 120	4.0	5.5	124	120	116	104	104	98	87	78	
PDL8 - 140	5.5	7.5	145	141	136	122	122	113	102	92	
PDL8 - 180	7.5	10.0	187	183	175	157	157	146	134	120	
PDL8 - 200	7.5	10.0	208	202	195	175	175	163	150	135	

» DIMENSIONS

Model	Dimension(mm)					Weight (kg)
	B1	B2	B1 + B2	D1	D2	
PDL8 - 30	377	245	622	170	142	35
PDL8 - 40	417	290	707	190	155	42
PDL8 - 50	447	290	737	190	155	46
PDL8 - 60	477	290	767	190	155	47
PDL8 - 100	607	355	962	230	188	67
PDL8 - 120	667	355	1022	230	188	70
PDL8 - 140	747	390	1137	260	208	85
PDL8 - 180	867	390	1257	260	208	98
PDL8 - 200	927	390	1317	260	208	99

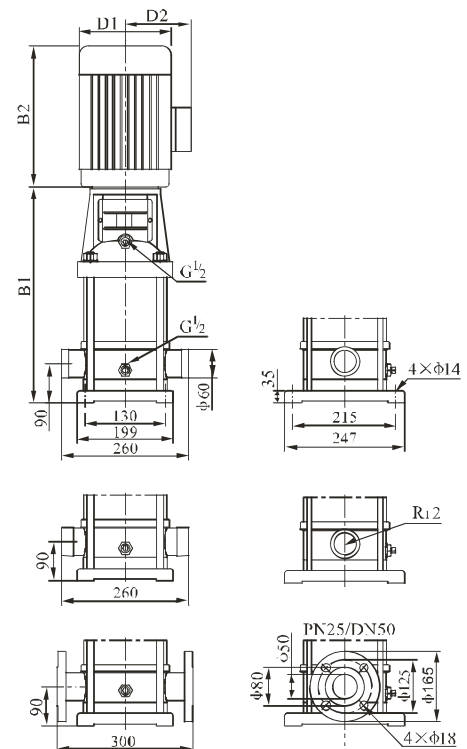


» TECHNICAL DATA

Model	Power		m3/hr	Q=capacity									
	kW	HP		8.0	10.0	12.0	14.0	15.0	16.0	18.0	20.0	22.0	23.0
Single Phase 415V /50HZ			L/min	133	167	200	133	250	267	300	333	367	383
			Head(m)										
			PDL16 - 20	2.2	3.0	27	26	25	24	23	22	21.5	19
PDL16 - 30	3.0	4.0	40	39	37.5	36	35	34.5	31.5	30	25.5	23	
PDL16 - 40	4.0	5.5	54	53	50	49	47	46.5	42	39	34.5	32	
PDL16 - 50	4.0	5.5	68	66	66	61	59	57.5	53	49	44	41	
PDL16 - 60	5.5	7.5	81	80	80	73	71	70	64	59	52	48	
PDL16 - 80	7.5	10.0	109	106	106	98	96	93	87	79	70	66	
PDL16 - 100	9.2	12.0	137	133	133	124	120	118	110	100	89	85	
PDL16 - 120	11.0	15.0	163	160	160	148	143	140	131	120	105	100	

» DIMENSIONS

Model	Dimension(mm)					Weight (kg)
	B1	B2	B1 + B2	D1	D2	
PDL16 - 20	397	290	687	190	155	42
PDL16 - 30	452	345	797	197	165	50
PDL16 - 40	497	355	852	230	188	59
PDL16 - 50	562	390	952	260	208	76
PDL16 - 60	607	390	997	260	208	77
PDL16 - 80	697	390	1087	260	208	86
PDL16 - 100	875	500	1375	330	255	158
PDL16 - 120	965	500	1465	330	255	161



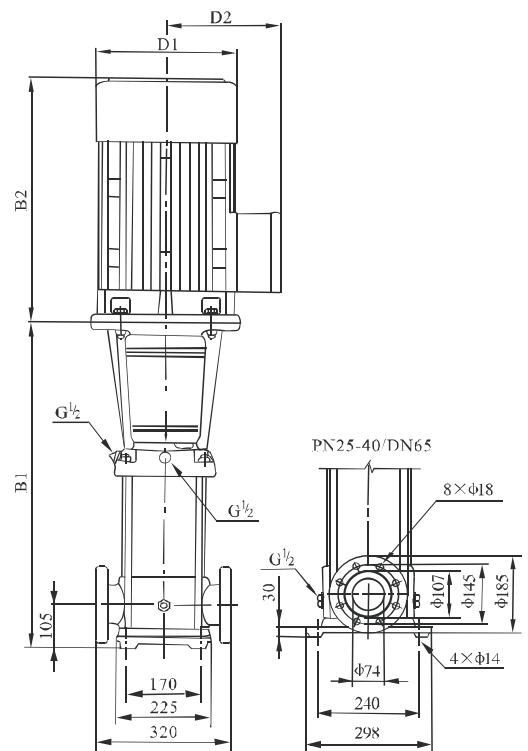
» PDL32

» TECHNICAL DATA

Model	Power		m3/hr	Q=capacity						
	kW	HP		L/min	16.0	20.0	24.0	28.0	32.0	36.0
Single Phase 415V /50HZ				Head(m)						
				36	34	32	30	27	23	18
				54	51	48	45	40	36	27
PDL32 - 20	4.0	5.5		72	68	64	60	54	48	36
PDL32 - 30	5.5	7.5		108	102	96	90	82	72	58
PDL32 - 40	7.5	10.0		144	136	128	120	110	96	78
PDL32 - 60	11.0	15.0								
PDL32 - 80	15.0	20.0								

» DIMENSIONS

Model	Dimension(mm)					Weight (kg)
	B1	B2	B1 + B2	D1	D2	
PDL32 - 20	575	355	930	230	180	84
PDL32 - 30	645	390	1035	260	208	99
PDL32 - 40	715	390	1105	260	208	108
PDL32 - 60	960	500	1460	330	255	193
PDL32 - 80	1100	500	1600	330	255	207



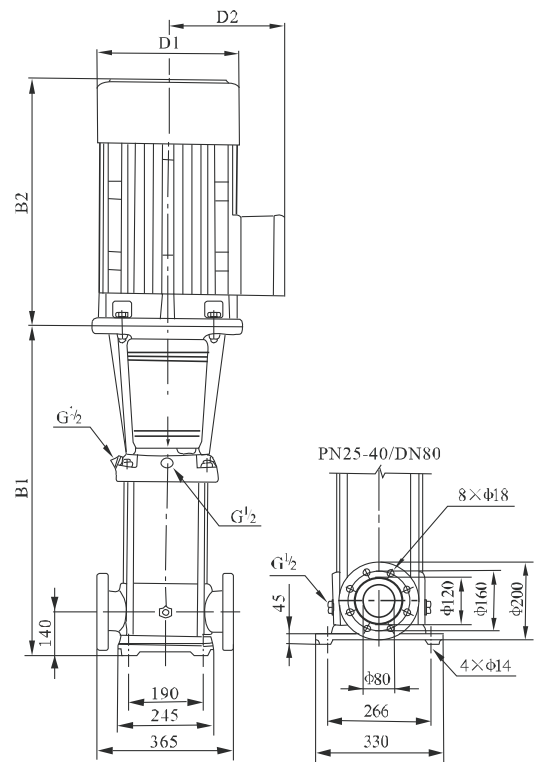
» PDL45

» TECHNICAL DATA

Model	Power		m3/hr	Q=capacity						
	kW	HP		25.0	30.0	35.0	40.0	45.0	50.0	55
Single Phase 415V /50HZ					L/min	6.9	8.3	9.7	11.1	12.5
	Head(m)									
	PDL45 - 20	7.5			10.0	48	46	44	42	39
PDL45 - 30	11.0	15.0	71	69	66	63	58	53	47	
PDL45 - 40	15.0	20.0	95	92	88	84	77	71	63	
PDL45 - 50	18.5	25.0	119	115	110	105	97	88	78	

» DIMENSIONS

Model	Dimension(mm)					Weight (kg)
	B1	B2	B1 + B2	D1	D2	
PDL45 - 20	641	382	1023	256	169	107
PDL45 - 30	791	505	1296	330	260	177
PDL45 - 40	871	505	1376	330	260	189
PDL45 - 50	951	560	1511	330	260	210

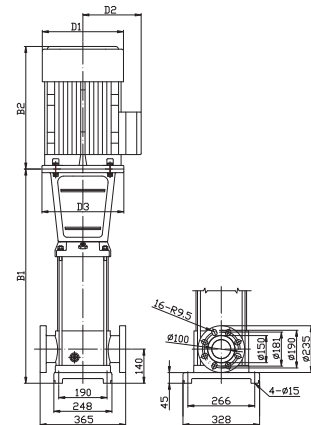


» TECHNICAL DATA

Model	Power		Q=capacity							
	kW	HP	m3/hr	30.0	40.0	50.0	60.0	64.0	70.0	80.0
			L/min	8.3	11.1	13.9	16.7	17.8	19.4	22.2
			Head(m)							
PDL64-20-2	7.5	10.0		40	38	34	30	29	28	19
PDL64-20	11.0	15.0		55	52	49	46	42	39	34
PDL64-30-1	15.0	20.0		73	69	65	58	54	52	42
PDL64-40-2	18.5	25.0		92	87	81	72	67	64	54

» DIMENSIONS

Model	Dimension(mm)						Weight (kg)
	B1	B2	B1 + B2	D1	D2	D3	
PDL64-20-2	646	382	1028	256	169	300	130
PDL64-20	716	505	1221	290	260	350	192
PDL64-30-1	797	505	1302	290	260	350	202
PDL64-40-2	881	560	1441	290	260	350	210



» PDL90

» TECHNICAL DATA

Model	Power		Q=capacity							
	kW	HP	m3/hr	50.0	60.0	70.0	80.0	90.0	100.0	110.0
			L/min	13.9	16.7	19.4	22.2	25	27.8	30
			Head(m)							
PDL90-20	15.0	20.0		56	53	50	47	42	38	34
PDL90-30	22.0	30.0		84	79.5	75	70.5	63	57	51
PDL90-40	30.0	40.0		112	106	101	94	84	78	68

» DIMENSIONS

Model	Dimension(mm)						Weight (kg)
	B1	B2	B1 + B2	D1	D2	D3	
PDL90-20	735	505	1240	330	260	300	205
PDL90-30	827	590	1417	360	275	350	255
PDL90-40	959	660	1619	400	305	400	323

